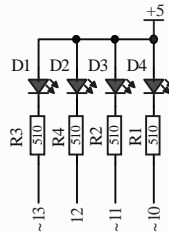
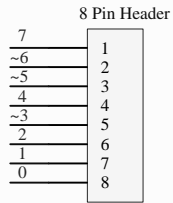
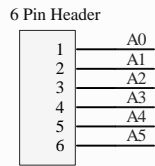
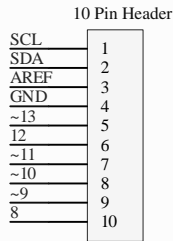
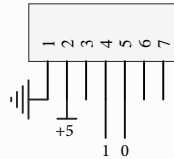


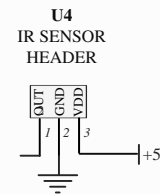
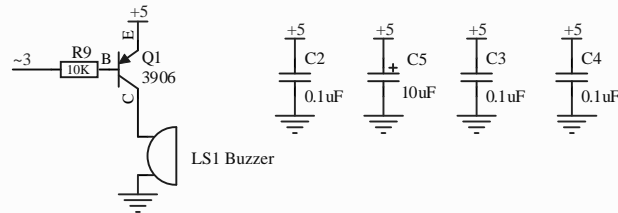
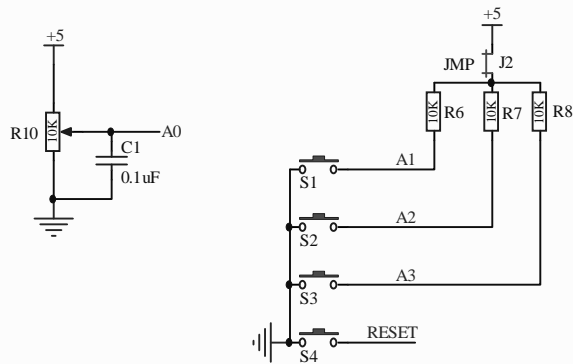
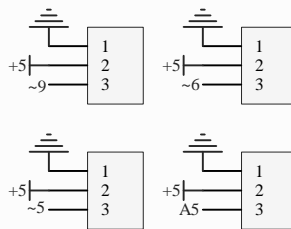
**ARDUINO Connection Headers**



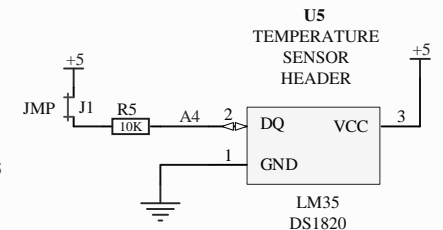
**BLUETOOTH Connection Header**



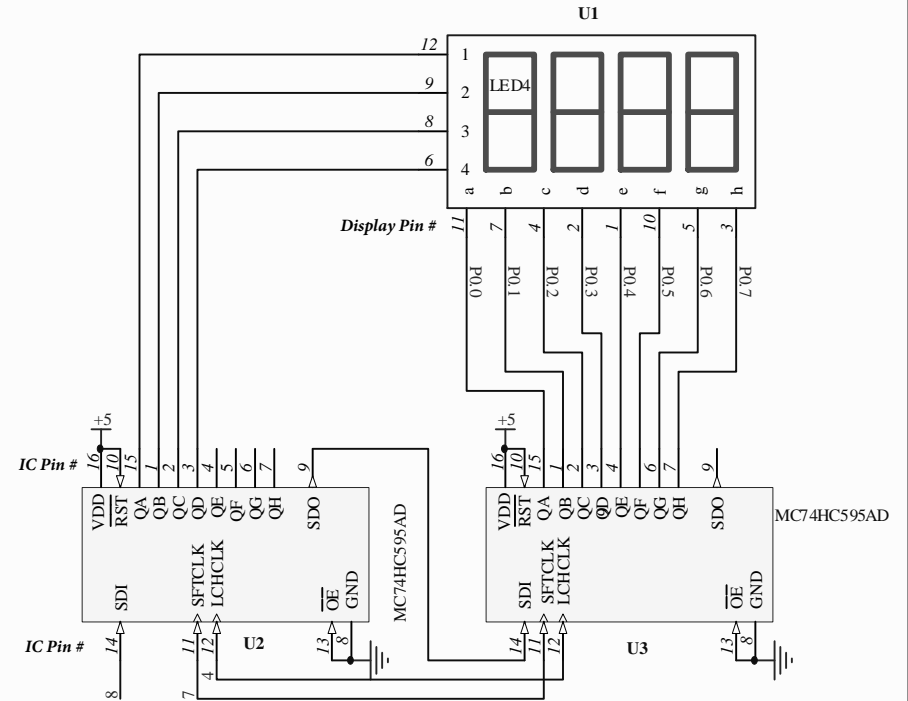
**SERVO Connection Headers**



**NOTE:**  
Check The Pinout of The IR Sensor Before Connecting



**NOTE:**  
Check The Pinout of The Temperature Sensor Before Connecting



Information obtained from or supplied by Mpja.com or Marlin P. Jones and Associates inc. is supplied as a service to our customers and accuracy is not guaranteed nor is it definitive of any particular part or manufacturer. Use of information and suitability for any application is at users own discretion and user assumes all risk

Title			<b>Arduino Multifunction Board</b>		
Size	Number	Revision			
A4	32798 MP	5/16			
Date:	2014-1-23	Sheet of			
File:		Drawn By:			