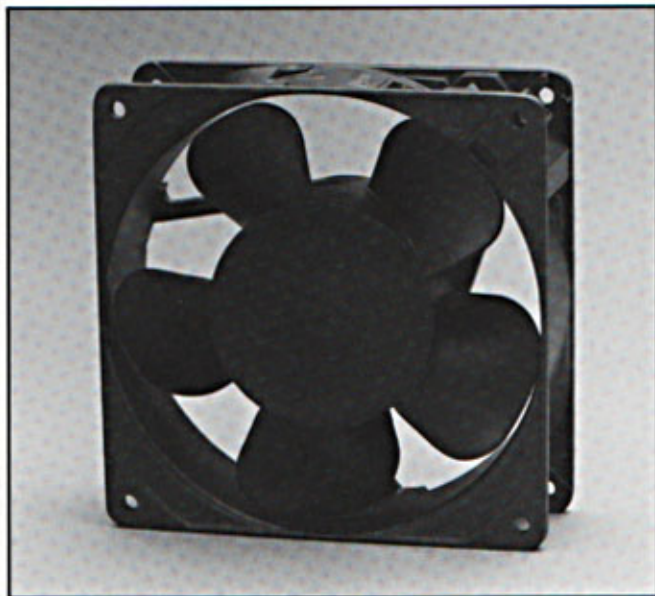


DC 4715 PL

SIZE: 4.69 in. sq. x 1.5 in.
120mm sq. x 38mm

AIRFLOW: 75-95 CFM

PRESSURE: .20-.28 in. of water
5.08-7.11mm of water



ENGINEERING DATA

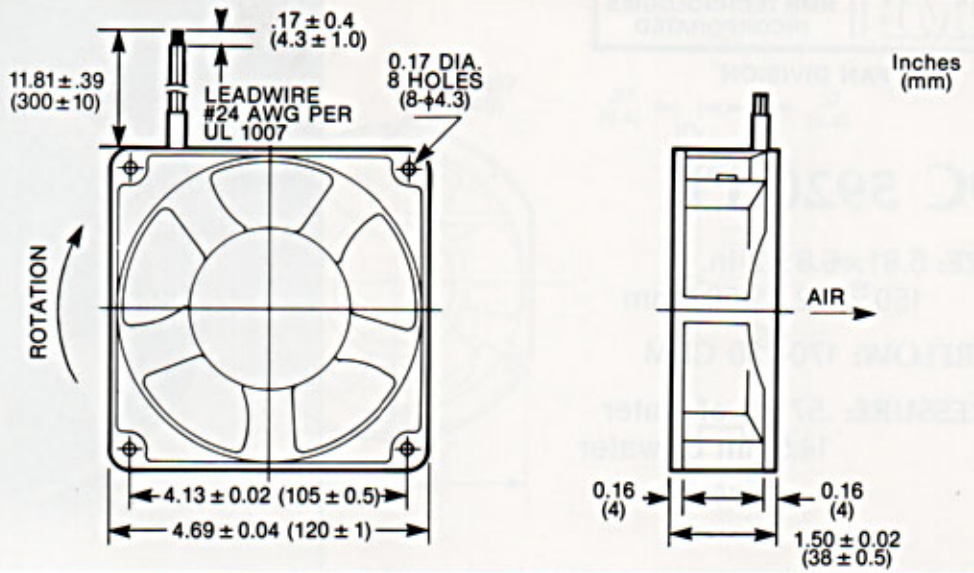
Weight	16 oz. (450g)
Noise	38-42 dBA
Impeller	UL94V-O Reinforced Plastic
Venturi	Aluminum Alloy
Bearings	Sealed Ball Bearings
Lead Wire	AWG 22, Red/Black UL1007 CSA TR-64
Temperature Range (Operating)	-10°C to +60°C
Insulation Resistance	10 Megohms minimum @500 VDC
Dielectric Strength	500 VAC for 1 min.
Insulation	Class A
Safety	Electronic Locked Rotor Polarity Protection Auto Restart

SPECIFICATIONS

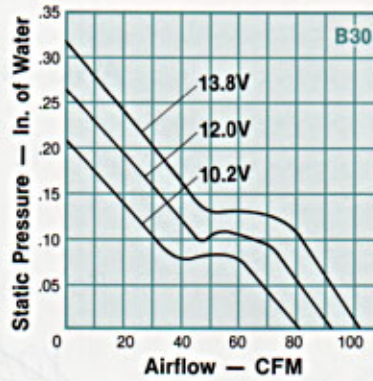
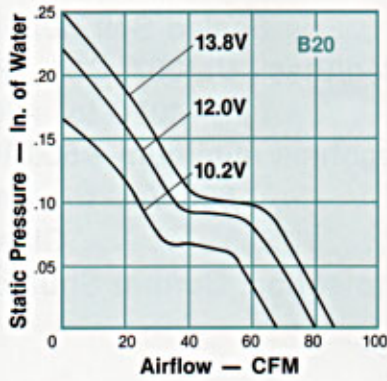
MODEL NUMBER	VOLTS	VOLTAGE RANGE	WATTS	mAMPS	SPEED	NOISE dBA	PRESSURE	CFM
4715 PL 04W B20	12	6-13.8	5.3	440	2500	38	.20	75
B30	12	6-13.8	5.9	490	3000	42	.28	95
4715 PL 05W B20	24	10-27.6	4.8	200	2500	38	.20	75
B30	24	10-27.6	7.2	300	3000	42	.28	95

OUTLINE DIMENSIONS

FLANGE TYPE (-D00)



PERFORMANCE CURVES



24 volt fan performance is identical to 12 volt fan performance curves.